

LUBRICATION

ORDER

L05-4310-350-12

15 JULY 1975

**COMPRESSOR, AIR, TANK MOUNTED, ELECTRIC MOTOR DRIVEN,
15 CFM AT 175 PSI CHAMPION MODEL NO. HR5-8M-3
NSN 4310-00-537-8876**

Reference: Federal Supply Catalog C9100-IL

Intervals are based on normal hours of operation. Adjust to compensate for abnormal operation and severe conditions. During inactive periods, sufficient lubrication must be performed for adequate preservation.

Clean parts with SOLVENT, dry-cleaning, Type II (SD-2). Dry before lubricating.

Drain crankcases while the lubricant is still warm from previous use. Replenish and check level when cool.

* The time specified is the time required to perform all services at the particular interval.

* TOTAL MAN-HR.		* TOTAL MAN-HR	
INTERVAL	MAN-HR	INTERVAL	MAN-HR
10	0.1	500	0.25
50	0.25		

FOLD

FOLD

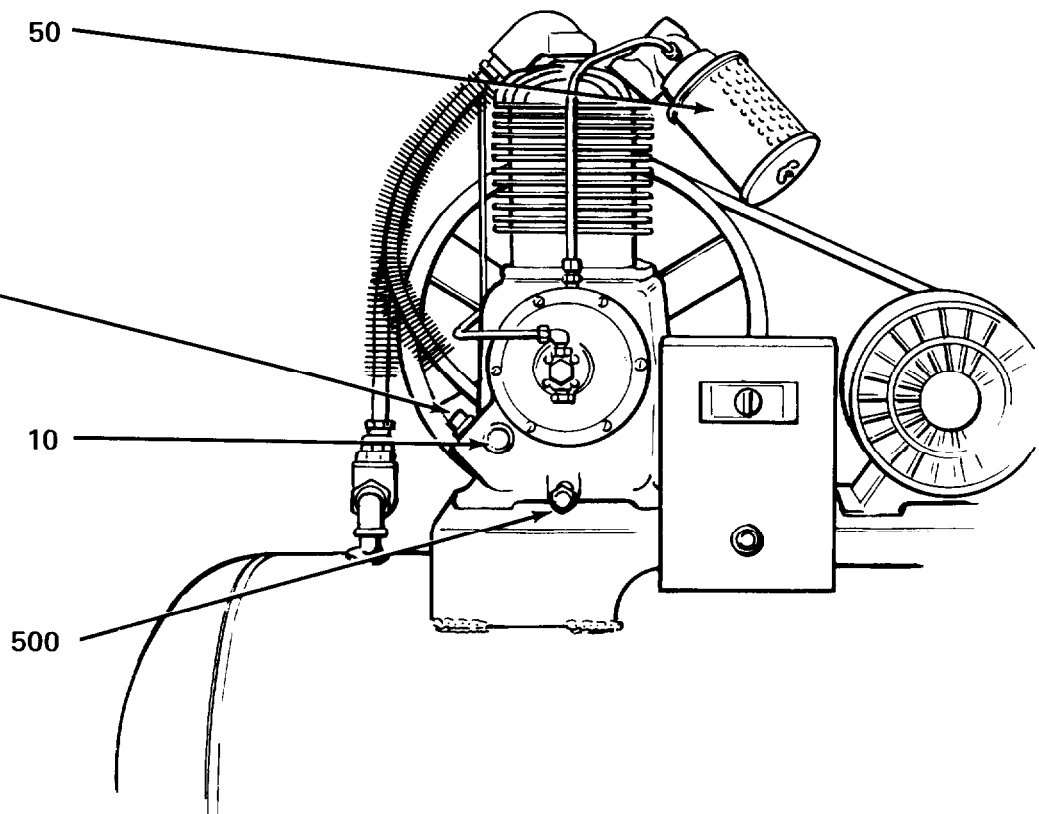
LUBRICANT • INTERVAL

Air Intake Muffler.
Disassemble, Clean
and Reassemble.

Oil Filler Cap
(See Key)

Oil Level Sight Gage
(Check Level)

Oil Drain Cap
(Drain and Refill)
(See Note 1)



-- KEY --

LUBRICANTS	CAPACITY	EXPECTED TEMPERATURES			INTERVALS
		Above + 32° F Above 0° C	+ 40° F to - 10° F + 5° C to - 23° C	0° F to - 65° F - 18° C to - 50° C	
OE/HDO - Lubricating Oil, Engine, Crankcase	2 Qt. (1.9L)	OE/HDO 10W30			Intervals given are in hours of normal operation.

NOTES:

1 CRANKCASE DRAIN. Remove plug and drain. Replace plug, refill crankcase with proper grade OE/HDO to full mark on oil sight gage.

2 LUBRICANTS. The following is a list of lubricants with the Military Symbols and applicable specification numbers.
OE/HDO MIL-L-2104

Copy of this Lubrication Order will remain with the equipment at all times; instructions contained herein are mandatory.

BY ORDER OF THE SECRETARY OF THE ARMY:
Fred C. Weyand
General, United States Army
Chief of Staff

OFFICIAL:

VERNE L. BOWERS
Major General, United States Army
The Adjutant General

DISTRIBUTION: To be distributed in accordance with DA Form 12-25A, (qty rqr block No. 17) Operator's maintenance requirements for Air Compressors, 15 CFM.